





D-Size 1 3/8" Powerfast Cordset Selection Matrix

			1 	2 	3 	4 
			Straight Female	Straight Male	Right Angle Female	Right Angle Male
Pins	AWG	Current Rating	TC-ER STOOW	TC-ER STOOW	TC-ER STOOW	TC-ER STOOW
3	10	30 Amps	GKDM 30-*M	GSDM 30-*M	GKDWM 30-*M	GSDWM 30-*M
	12	25 Amps	GKDM 32-*M	GSDM 32-*M	GKDWM 32-*M	GSDWM 32-*M
	14	18 Amps	GKDM 34-*M	GSDM 34-*M	GKDWM 34-*M	GSDWM 34-*M
4	10	25 Amps	GKDM 40-*M	GSDM 40-*M	GKDWM 40-*M	GSDWM 40-*M
	12	20 Amps	GKDM 42-*M	GSDM 42-*M	GKDWM 42-*M	GSDWM 42-*M
	14	15 Amps	GKDM 44-*M	GSDM 44-*M	GKDWM 44-*M	GSDWM 44-*M

Pins	AWG	Current Rating	TC-ER	TC-ER	TC-ER	TC-ER
3	10	30 Amps	GKDM 30-*M/S4000	GSDM 30-*M/S4000	GKDWM 30-*M/S4000	GSDWM 30-*M/S4000
	12	25 Amps	GKDM 32-*M/S4000	GSDM 32-*M/S4000	GKDWM 32-*M/S4000	GSDWM 32-*M/S4000
	14	18 Amps	GKDM 34-*M/S4000	GSDM 34-*M/S4000	GKDWM 34-*M/S4000	GSDWM 34-*M/S4000
4	10	25 Amps	GKDM 40-*M/S4000	GSDM 40-*M/S4000	GKDWM 40-*M/S4000	GSDWM 40-*M/S4000
	12	20 Amps	GKDM 42-*M/S4000	GSDM 42-*M/S4000	GKDWM 42-*M/S4000	GSDWM 42-*M/S4000
	14	15 Amps	GKDM 44-*M/S4000	GSDM 44-*M/S4000	GKDWM 44-*M/S4000	GSDWM 44-*M/S4000

See page 15 for dimensional drawings.

* Length in meters. Standard cable lengths are 2, 5 and 10 meters. Consult factory for other lengths.





Note: Extension cables are available, please consult Part Number Key (page 10).



Standard coupling nut material is nickel plated brass. Consult Part Number Key (page 10) for anodized aluminum and 316 stainless steel options.

We reserve the right to make technical alterations without prior notice.

D-Size 1 3/8" powerfast

D-Size 1 3/8" Powerfast Receptacle Selection Matrix

Front Mount			5	6	7	8
						
Pins	AWG	Current Rating	Female 1/2-14 NPT Mounting Thread	Male 1/2-14 NPT Mounting Thread	Female 3/4-14 NPT Mounting Thread	Male 3/4-14 NPT Mounting Thread
3	10	30 Amps	GKDF 30-*M/14.5/NPT	GSDF 30-*M/14.5/NPT	GKDF 30-*M/14.75/NPT	GSDF 30-*M/14.75/NPT
	12	25 Amps	GKDF 32-*M/14.5/NPT	GSDF 32-*M/14.5/NPT	GKDF 32-*M/14.75/NPT	GSDF 32-*M/14.75/NPT
	14	18 Amps	GKDF 34-*M/14.5/NPT	GSDF 34-*M/14.5/NPT	GKDF 34-*M/14.75/NPT	GSDF 34-*M/14.75/NPT
4	10	25 Amps	GKDF 40-*M/14.5/NPT	GSDF 40-*M/14.5/NPT	GKDF 40-*M/14.75/NPT	GSDF 40-*M/14.75/NPT
	12	20 Amps	GKDF 42-*M/14.5/NPT	GSDF 42-*M/14.5/NPT	GKDF 42-*M/14.75/NPT	GSDF 42-*M/14.75/NPT
	14	15 Amps	GKDF 44-*M/14.5/NPT	GSDF 44-*M/14.5/NPT	GKDF 44-*M/14.75/NPT	GSDF 44-*M/14.75/NPT

Front Mount			9	10
				
Pins	AWG	Current Rating	Female M20 Mounting Thread	Male M20 Mounting Thread
3	10	30 Amps	GKDF 30-*M/M20	GSDF 30-*M/M20
	12	25 Amps	GKDF 32-*M/M20	GSDF 32-*M/M20
	14	18 Amps	GKDF 34-*M/M20	GSDF 34-*M/M20
4	10	25 Amps	GKDF 40-*M/M20	GSDF 40-*M/M20
	12	20 Amps	GKDF 42-*M/M20	GSDF 42-*M/M20
	14	15 Amps	GKDF 44-*M/M20	GSDF 44-*M/M20

See page 15-16 for dimensional drawings.

* Length in meters. Standard lead length is 0.5 meters. Consult factory for other lengths.

Note: Standard housing material is nickel plated brass. Consult Part Number Key (page 10) for anodized aluminum and 316 stainless steel options.

We reserve the right to make technical alterations without prior notice.

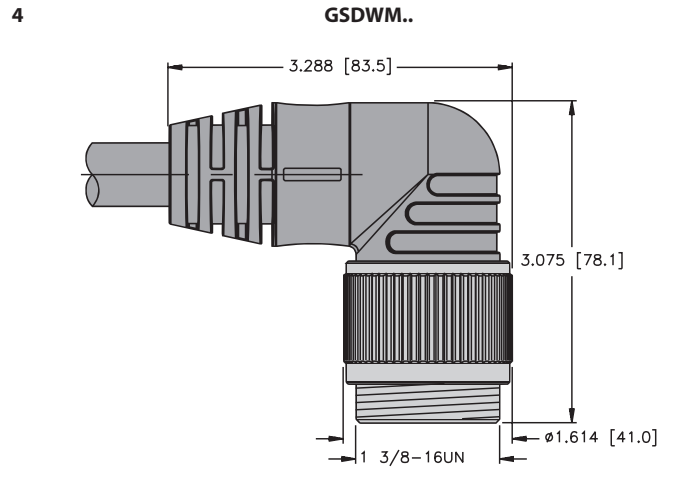
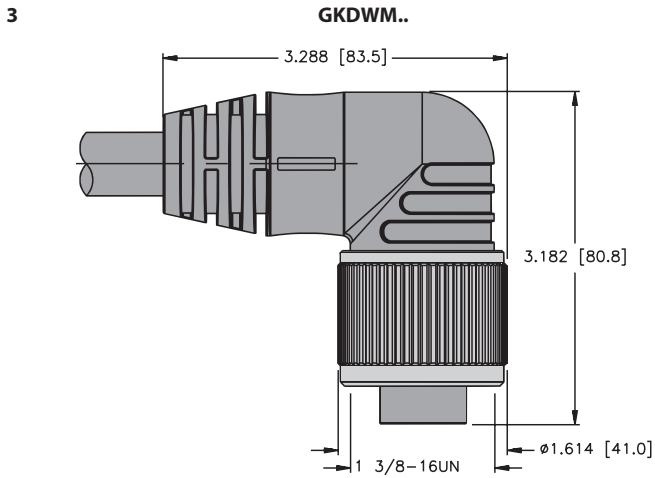
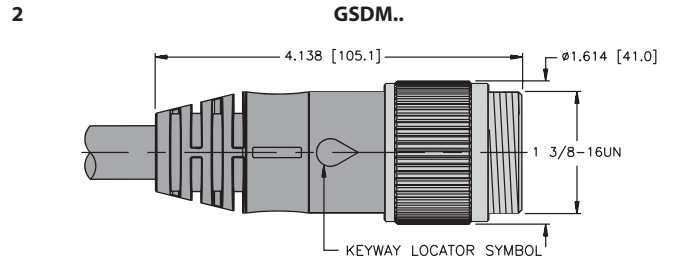
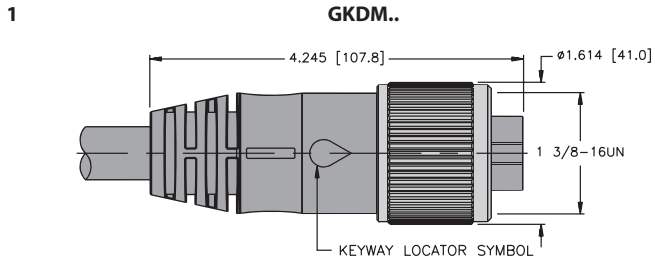
D-Size 1 3/8" Powerfast Field Wireable Selection Matrix

Front Mount			11	12
				
Pins	AWG	Current Rating	Female Screw Terminal	Male Screw Terminal
3	8-14	Up to 30 Amps	GKDM 30-0	GSDM 30-0
4	8-14	Up to 25 Amps	GKDM 40-0	GSDM 40-0

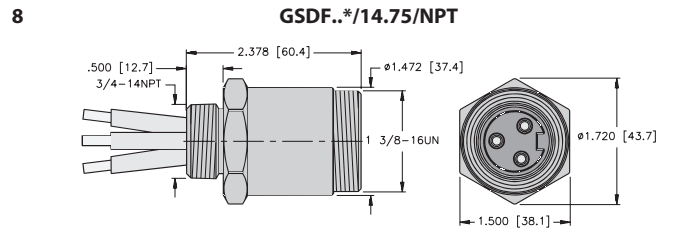
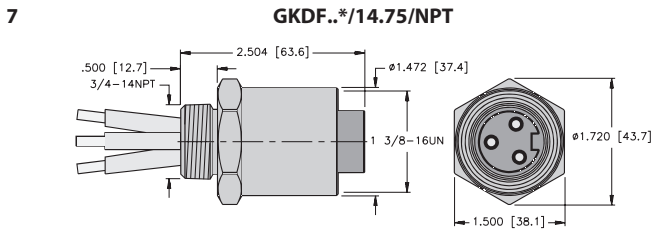
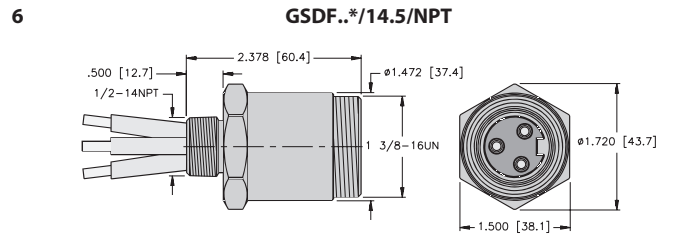
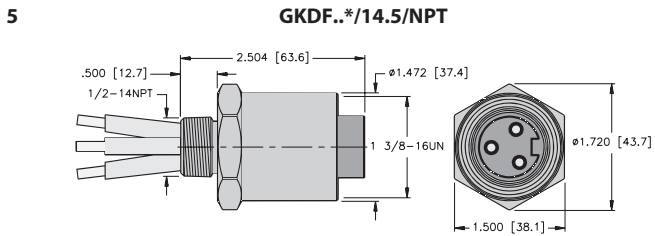
See page 16 for dimensional drawings.

Note: Standard coupling nut material is nickel plated brass. Consult factory for anodized aluminum and 316 stainless steel options.

D-Size 1 3/8" Powerfast Cordset Dimensions



D-Size 1 3/8" Powerfast Receptacle and Field Wireable Dimensions

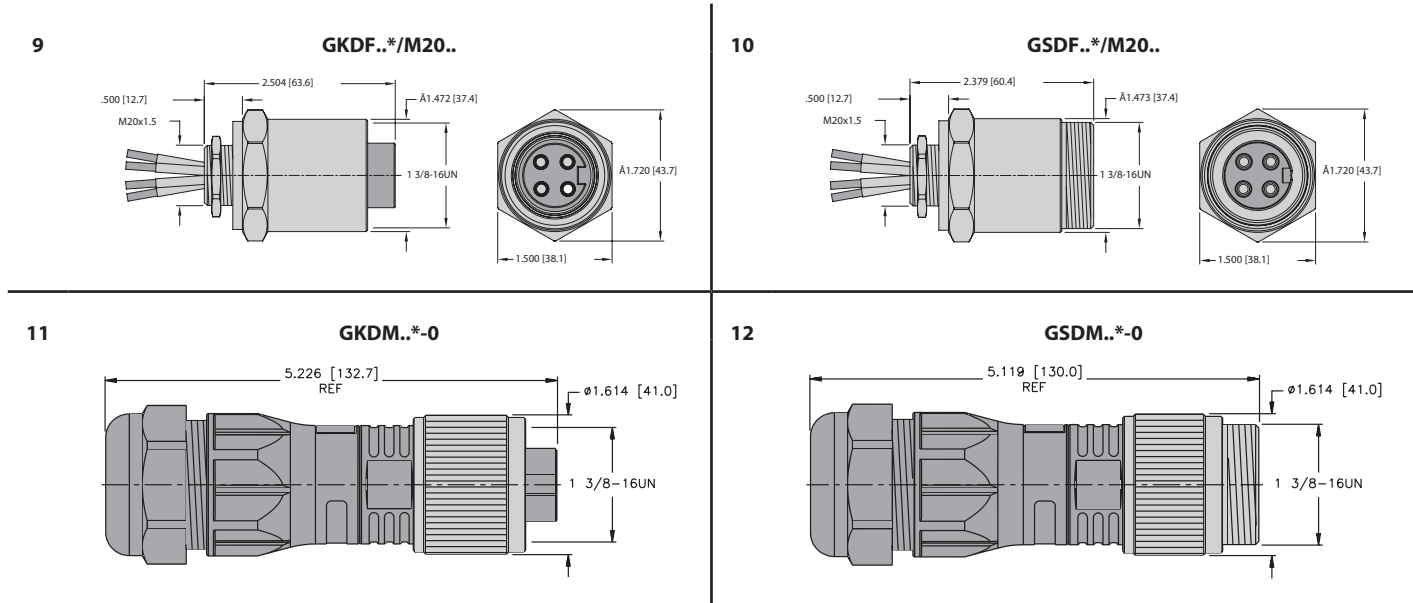


D-Size 1 3/8" powerfast

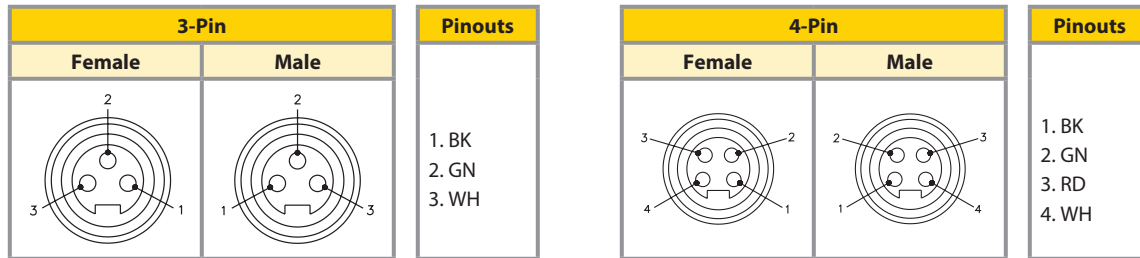
D-Size 1 3/8" powerfast Connectivity



D-Size 1 3/8" Powerfast Receptacle and Field Wireable Dimensions



D-Size 1 3/8" Powerfast Cordset, Receptacle and Field Wireable Pinouts



D-Size 1 3/8" Powerfast Tee Specifications

Mechanical		Electrical	
Mold material/color:	PVC/Black	Contact material:	Brass or copper with gold plating
Contact carrier material:		Cable jacket material/color:	
Coupling nut material:		Standard:	TC-ER STOOW PVC/Black
Standard:	Nickel plated brass	Additional options:	TC-ER PVC/Black (/S4000 version)
Additional options:	Anodized aluminum 316 stainless steel	Ratings:	15-30 Amps, 600 VAC
Environmental protection:	NEMA 1, 3, 4, 6P and IEC IP67, IP68, IP69K		Note: UL approval applies to D-size and A-size power connectors with integral connector drop.
Temperature rating:	-40 °C to +90 °C (-40 °F to +194 °F)		

We reserve the right to make technical alterations without prior notice.